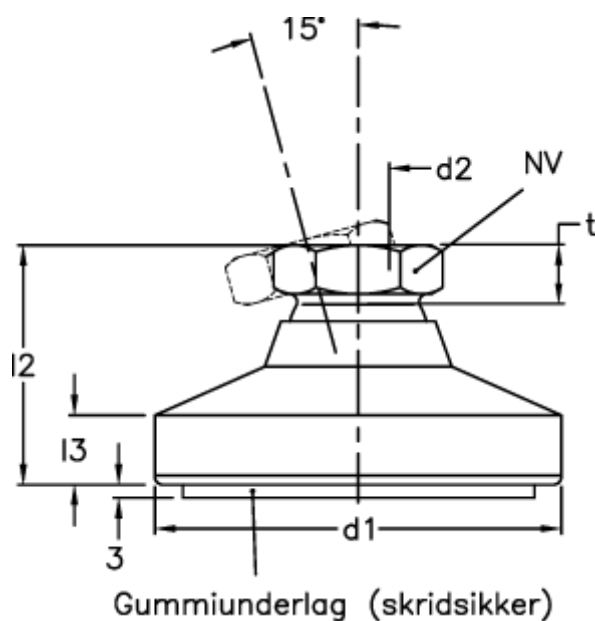


Article number: 20958503

Description: E+G Levelling foot
GN 343.3-60-M16-G

Measures



d1	= 60
d2	= M16
l2	= 35.5
l3	= 8.5
NV	= 24.0
Static load (N)	= 14000
t min	= 16.0